

Multiplex D2

USER MANUAL



Digital Radio



FM Radio



Aux In/Out



BT Wireless
Audio



EQ Controls



USB Charge



AZATOM
NEXT GENERATION SOUND



Contents

Package Contents	4
Controls & Interface	5
Operating your radio	7
DAB Radio	8
Dynamic Range Control (DRC) & Prune	10
FM Radio	11
Display Settings	12
Using Presets	13
Bluetooth & Aux In	14
Sleep Timer	15
Time & Date Settings	16
Alarm Settings	17
Snooze & Mobile Phone Charging & Equalizer	18
Earphones	19
Factory Reset	20
Important Safety Information	21
Specifications	22

Thank You for purchasing the Multiplex D2 for your home.

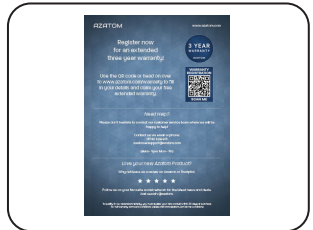
To make the most of its features, we suggest reading the instruction manual thoroughly, which includes hints and tips to assist in resolving any problems. Please go through all the safety guidelines before using it and keep this manual for future reference.

Package Contents

Remove all items from the packaging. Retain the packaging. If you dispose of it please do so according to local regulations.

The following items are included:

1. Multiplex D2
2. Mains Adapter
3. Aux Cable
4. User Manual
5. Warranty Card



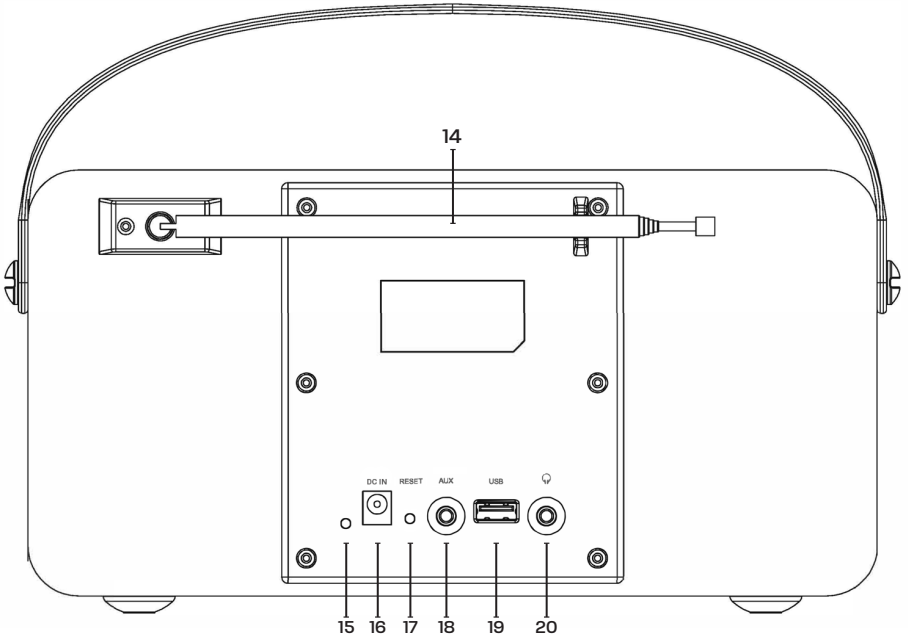
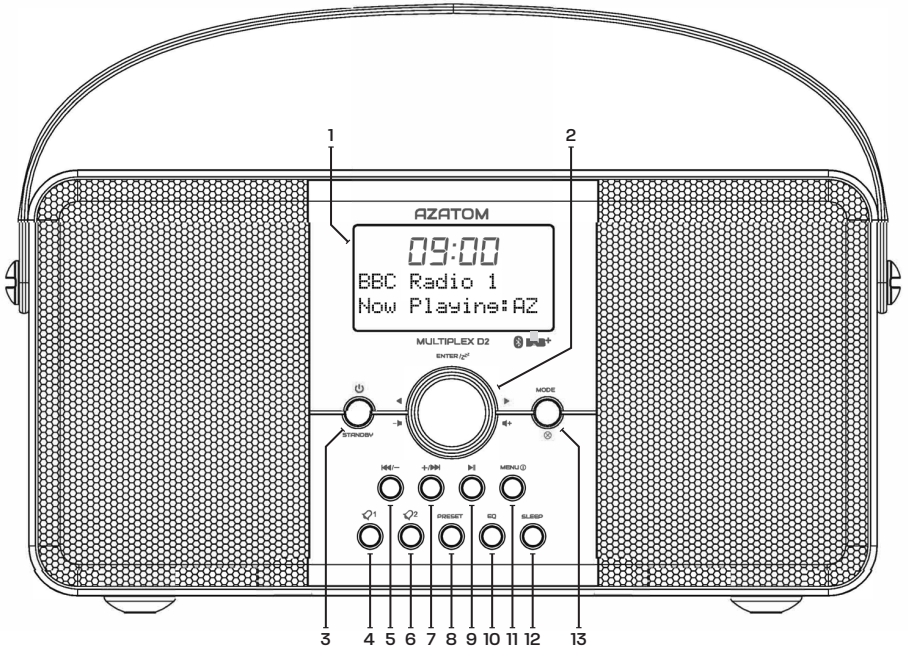
Please read the manual thoroughly before operating the device

CAUTION: Only use the supplied power adapter for this device. Do not use for other devices. Disconnect from mains power supply during longer periods of non-use.

Controls & Interface

1. LCD Display
2. VOLUME / SCROLL / ENTER / SNOOZE / DIMMER
3. ON/OFF and Standby
4. Alarm 1
5. Tuning - / Backwards
6. Alarm 2
7. Tuning + / Forwards
8. Preset
9. Play / Pause / Scan (*Play / Pause for BT Wireless Audio Mode*)
10. Equaliser
11. Menu
12. Sleep
13. MODE / Exit
14. Telescopic Antenna
15. Battery Charging Indicator
16. DC 9V Port (9V, 1.5A)
17. Reset Button
18. 3.5mm AUX-IN Port
19. USB Charging Out Port (*5V/500mA For Mobile Phones*)
20. Headphone Port

Continued on Next Page



Operating Your Radio

1. Insert the adapter plug into your AC socket. Connect the output into the DC 9V jack of the device.
2. Press the **POWER** button to switch on your radio. The display will show "**Azatom - Digital Radio.**"
3. If this is the first time using the unit, it will go into **DAB Mode** and automatically start an "**Auto Scan**" to search for available stations. *(If DAB Mode has been previously utilized, the radio will automatically choose the most recently played station when it is switched back on after being powered off.)*
4. Pressing **▶||** at any time will automatically scan and store stations. *(During the scanning process, the lower line of the display shows a bar graph indicating progress of the scan.)*
5. When the scan is complete the first station (in alphanumeric order) will be selected. The clock will automatically set to the current time.
6. If the station list is still empty after the scan your radio will display "**Service Not Available**".
7. If no stations are found, please ensure the aerial is extended and test the reception by doing another auto scan in a different location.

Charging The Battery:

Before you can operate the device with the battery, you need to charge it first.

Connect the device to a wall socket with the power adaptor. The battery will begin to charge and this will be indicated by a "GREEN" light.

Once the battery has been charged completely, the charging indicator lights up "RED".

CAUTION: Never leave the device unattended during the charging process. The duration of the charging process depends on the state of charge of the battery.

DAB Radio

Selecting a Station

With your radio powered on, carefully extend the telescopic aerial fully.

1. Press **MODE** to enter "**DAB**" mode.
2. The top line of the display shows the name of the station currently selected.
3. Press **◀◀** or **▶▶** buttons, then turn the dial to cycle through the list of available stations then press **ENTER** to tune into that station.

Full Scan

To find new stations you can auto scan as follows.

1. Pressing **▶||** at any time will automatically scan and store stations.
2. Or press the **MENU** button, then use the dial to highlight "**Full Scan**" and press **ENTER**.
3. The display will show "**Scanning...**" and your radio will perform a scan of the Band III DAB channels. As new radio stations are found the station counter on the right-hand side of the display will increase and the radio stations will be added to the list stored in the radio.
4. Press **MENU** to return to the normal tuning mode.

Continued on Next Page

Secondary Services - DAB

1. Some radio stations have additional secondary services associated with them. If a radio station has a secondary service associated with it the display will show “>>” next to the station name on the station list. The secondary service will then appear immediately after the primary services as you turn the dial.
2. Press **ENTER** to confirm the station selection.
3. When the secondary service shuts down, your radio will automatically switch back to the main radio station if it is available.

DAB Manual Tune

This feature in DAB mode is mainly used to show signal strength in you your for each Frequency. Its not essencial to use this feature and auto scan is best for DAB. This function is mainly used to assist the positioning of the aerial or the radio to optimise reception for a specific channel or frequency.

1. Press **MENU**, then turn the dial to highlight “*Manual Tune*” and press **ENTER**.
2. Turn the dial to highlight your desired frequency.
3. Press **ENTER**, the graph will indicate the signal strength, and the upper line will show the name of the DAB multiplex (group of radio stations).
4. Press **MENU** to return to the normal tuning mode.

Dynamic Range Control (DRC)

Dynamic Range Control (also known as DRC) can make quieter sounds easier to hear when your radio is used in a noisy environment.

1. Press **MODE** to enter “DAB” mode.
2. Press **MENU** then turn the dial until the display shows “**DRC**”. Press **ENTER** to enter the settings menu.
3. Turn the dial to select the required DRC setting (the default is OFF).

DRC OFF - DRC is switched off, broadcast DRC will be ignored.

DRC LOW - DRC level is set to 1/2 that sent by broadcaster.

DRC HIGH - DRC level is sued as sent by broadcaster.

4. Press **ENTER** to confirm the setting. The display will return to the previous display.

Note: Not all DAB broadcasts are able to use the DRC function. If the broadcaster does not support DRC, then the DRC setting in the radio will have no effect.

Prune DAB

Prune : (To remove stations which are listed but unavailable).

1. In DAB mode, press **MENU** and turn the dial until “**Prune**” is highlighted on the display then press **ENTER**.
2. Turn dial to find “**YES**”. Press **ENTER** button to confirm to prune.

Note: this removes all the invalid stations indicated in the station list with a “?” in front of the station name.

FM Radio

Selecting a Station

With your radio powered on, carefully extend the telescopic aerial fully.

1. Press **MODE** to enter "*FM*" mode.
2. The top line of the display shows the frequency of the station currently selected.
3. Press and hold **◀◀** or **▶▶** buttons to fast search to the next available FM station.
4. Press **◀◀** or **▶▶** buttons to cycle through the list of available stations and fine tune the FM frequency by 0.05mHz then press **ENTER** to tune into that station.

Full Scan

1. Press **MODE** to enter "*FM*" mode.
2. Press **▶||** button. Your radio will scan and save any FM stations with a strong signal in its memory. After the search is complete the display will show the frequency and play the first available station.

Display Settings

Backlight Auto Setting:

1. Press **MENU** and turn the dial until "**System**" is highlighted on the display then press **ENTER**.
2. Turn the dial until "**Backlight**" is highlighted on the display then press **ENTER**.
3. Turn the dial until "**Timeout**" is highlighted then press **ENTER**.
4. Turn the dial to choose between **10, 20, 30, 45, 60, 90, 120, 180** seconds, or "**On**" to cancel auto dimmer. press **ENTER** to set.
5. Press **MENU** to return to the original radio screen.

Set Brightness:

While in any playing mode, push the dial to cycle through the different levels of Brightness. There is four levels of brightness to choose from, High, Medium, Low and Sleep Low.

Using Presets

You can save your preferred DAB and FM radio stations to the preset station memories. Your radio has a total of 80 memory presets, with 40 allocated for DAB and 40 for FM. The steps to store presets are the same for both DAB and FM modes.

1. With the radio powered on, Press **MODE** button to choose “DAB” or “FM” mode.
2. **IMPORTANT:** Make sure the station you want to preset is actually playing.
3. Press and hold the **PRESET** button for until you see “*Preset Store*” highlighted on the screen (not “*Preset Recall*”)
4. Using the dial, scroll along to the desired preset number that you wish to store the station to and press **ENTER**.
5. Once correctly stored, “*Preset 01 Stored*” will display on the screen. The station will be stored under the chosen preset. Repeat this process for any other stations you wish to save.

Note: Stations which have been stored in a preset slot may be overwritten by following the above procedure and selecting a already used slot.

Recalling Presets:

1. With the radio powered on, Press **MODE** button to choose “DAB” or “FM” mode.
2. Press the **PRESET** button to see “*Preset Recall*” not “*Preset Store*”
3. Using the dial, scroll along to the desired preset number that you wish to play and press **ENTER**.

Note: If you have not previously stored a preset station and the preset button is pressed “Empty preset” will be displayed.

Bluetooth

To pair your device via Bluetooth for the first time:

1. Press **MODE** until "**Bluetooth**" is highlighted on the display then press **ENTER**.
2. After a few seconds, the speaker will automatically go into pairing mode.
3. On your Bluetooth device (such as mobile phone) do a search and once available please select "**Multiplex D2**".
4. Once connected, the screen will say "**BT Connected**".
5. You can press the **▶||** button on the front of the Multiplex D2 to play and pause your music.

Aux - In

Aux-in mode plays audio from an external source such as a smart phone.

1. Plug one end of a 3.5mm audio cable (excluded) into the headphone or line out jack on your player or device, plug the other end of the cable into the unit Aux-In port.
2. Turn on the external audio source and play your device.
3. Press **MODE** until "**Aux Input**" is highlighted on the display then press **ENTER**.
4. The volume level can be now controlled through the main unit.

Please ensure the cable is disconnected to listen to the radio in other modes such as DAB and FM.

Sleep Timer

Your radio can be set to turn off after a preset time period has elapsed. The sleep setting can be adjusted from 15 to 90 minutes.

1. Press the **SLEEP** button.
2. Turn the dial to cycle through the sleep timers. Choose between 15, 30, 45, 60 and 90 minutes or Sleep Off which will cancel the sleep time. Press **ENTER** to confirm the setting
3. The sleep timer indicator will show on the display. Your radio will switch off after the pre-set sleep time has elapsed.
4. To cancel the sleep timer, press **SLEEP** and cycle through to "*Sleep Off*" and press **ENTER** to confirm.

Time & Date Settings

When the radio is first turned on and the scan has completed, the time and date should have automatically been set. If there is no DAB/FM signal available, you will need to set the time and date manually when turned on for the first time.

1. Press **MENU** and turn the dial until "**System**" is highlighted on the display then press **ENTER**.
2. Turn the dial until "**Time/Date**" is highlighted on the display then press **ENTER**.
3. Turn the dial to select "**Set Time/Date**" then press **ENTER**. You can also use the dial to set the Auto Update, 12/24 Hour Modes and Date Format.
4. Turn the dial to set the day, then press **ENTER**.
5. Turn the dial to set the month, then press **ENTER**.
6. Turn the dial to set the year, then press **ENTER**.
7. Turn the dial to set the hour, then press **ENTER**.
8. Turn the dial to set the minutes, then press **ENTER**.
9. After pressing enter, the time and date will be saved.

Alarm Settings

NOTE: PLEASE SELECT A RADIO STATION BEFORE SETTING THE ALARM. You will be given the option to choose from last station used or one of your favourite preset channels.

1. Press either **ALARM 1** or **ALARM 2** to enter the setting menu.
2. Use the dial to set the alarm hour and press **ENTER** to confirm.
3. Use the dial to set the alarm minutes and press **ENTER** to confirm.
4. Use the dial to choose a duration: 15, 30, 45, 60, 90 minutes and press **ENTER** to confirm.
5. Use the dial to set alarm sound source, choose between Buzzer / FM / DAB and press **ENTER** to confirm.
6. Use the dial to set when the alarm is active, you can choose Once / Daily / Weekdays / Weekends. Press **ENTER** to confirm.
7. Use the dial to set the alarm volume and press **ENTER** to confirm.
8. Use the dial to choose whether you want the alarm ON/OFF and press **ENTER** to confirm.
9. At any time you can disable or enable the alarm. Press and hold the **ALARM 1** or **ALARM 2** button to disable or enable the alarm. The display will show the alarm logo when enabled.

Snooze

1. When the alarm sounds, pressing the dial will temporarily silence the alarm, you can choose the time from **5, 10, 15 & 30 minutes** by turning the dial.
2. The snooze function also has a countdown allowing you to see how long before the alarm re-sounds.

Stop The Alarm

When the alarm is sounding you can press **ALARM** or **STANDBY** buttons to silence the alarm sound. The radio will then return to Standby mode - This cancels the alarm, to snooze please use the dial.

Mobile Phone Charging

The USB port on the back of the Multiplex D2 is available for you to charge your mobile device through the use of your USB charging cable. Plug your wire into the USB port and attach your mobile device to the other end and your phone will begin to charge.

Note: This port is only for charging your mobile phone or compatible products. It is not a USB player.

Equalizer

1. Press **Menu** button and scroll with the dial to "**System**". Press **ENTER**.
2. In System go to "**EQ**". Press **ENTER**.
3. Use the dial to to choose between "**Bass**" or "**Treble**" and press **ENTER** to confirm.
4. Use the dial to to adjust the setting to your desired level and press **ENTER** to confirm.

Earphones

Note: Earphones are not included with the Multiplex D2 Radio

1. Plug the earphones into the Earphone socket on the rear of your radio.
2. Check that the Volume level is not too loud before placing the ear-pieces into your ears.

FM Stereo/Mono (Earphones only)

Use this if a FM station being received has a weak signal and some distortion is audible (especially when listening using earphones).

1. Press **MENU** and turn the dial until "**Audio Setting**" is highlighted on the display then press **ENTER**.
2. Turn the dial until "**Forced Mono**" is highlighted on the display then press **ENTER**.
3. To return to stereo mode turn the dial until "**Audio Setting**" is highlighted then press the **ENTER**.
4. Turn the dial to highlight "**Stereo Allowed**" and press **ENTER**. Your radio will switch to stereo mode.

Factory Reset

If your radio fails to operate correctly, or some digits on the display are missing or incomplete, it may be possible to restore normal operation by carrying out a system reset. This will restore the radio's settings to their factory defaults. If you have moved to a different part of the country and you wish to erase local DAB radio stations that are no longer available from the stored list, then you may carry out this procedure.

Note: All your presets will be erased throughout this procedure

1. Press **MENU** and use the dial until "**System**" is highlighted on the display then press **ENTER**.
2. Turn the dial until "**Factory Reset**" is highlighted on the display then press **ENTER**.
3. If you wish to perform the reset operation, use the dial until "**YES**" is highlighted on the display and press **ENTER**. A full reset of your radio will be performed, All preset stations & station lists will be erased.

If you do not wish to reset your radio turn the dial until "**NO**" is highlighted and press **ENTER** to confirm. Your radio will return to the previous menu.

4. After a system reset a scan of the DAB band will be automatically performed.

If your radio locks at any time you can use the RESET button inside the Aux In port the rear of the radio. Just press it once and it will reboot.

Important Safety Information

1. Read these instructions.
2. Keep these instructions. Instructions are also available for download at www.azatom.com
3. Heed all Warnings.
4. Follow all instructions.
5. Do not clean the apparatus near or with water.
6. Clean only with a Dry Cloth.
7. Do not block any ventilation openings. Install in accordance with the manufacturer's instructions.
8. Do not install near any heat sources such as radiators, heat registers, stoves, or other apparatus (including amplifiers) that produce heat.
9. Protect the power cord from being walked on or pinched particularly at plugs, convenience receptacles, and the point where they exit from the apparatus.
10. Only use attachments/accessories specified by the manufacturer.
11. Unplug this apparatus during light storms or when unused for long periods of time.
12. Refer all servicing to qualified service personnel. *(Servicing is required when the apparatus has been damaged in any way, such as power supply cord or plug is damaged, liquid has been spilled or objects have fallen into the apparatus, the apparatus has been exposed to rain or moisture, does not operate normally or has been dropped.)*
13. No naked flame sources, such as lit candles, should be placed on the apparatus.
14. Dispose of used electrical products and batteries safely according to your local authority and regulations.

ADDITIONAL WARNINGS

The apparatus shall not be exposed to dripping or splashing and no objects filled with liquid, such as vases, shall be placed on apparatus.

Main plug is used to disconnect device and it should remain readily operable during intended use. In order to disconnect the apparatus from the main mains completely, the mains plug should be disconnected from the main socket outlet completely.

If any battery is included it shall not be exposed to excessive heat such as sunshine, fire or the like.W

RECYCLING ELECTRICAL PRODUCTS

You should now recycle your waste electrical goods and in doing so help the environment.



This symbol means an electrical product should not be disposed of with normal household waste. Please ensure it is taken to a suitable facility for disposal when finished with.



IMPORTANT: Please read all instructions carefully before use and keep for future reference



- Risk of electric shock. Do not open



- Read all instructions carefully before use and keep for future reference.



- When servicing, use only identical replacement parts.



Specifications

Technical Specifications:

Power requirement mains (via adaptor):

AC 100-240V, 50/60Hz

DC 9V 1.5A

Battery: 2200mAh battery.

Frequency Coverage:

FM: 87.5-108MHz

DAB: 174.928 - 239.200MHz

Circuit Features:

Loudspeaker: 3.5 inch x 2

Output power: 30W Max

Earphone socket: 3.5mm dia. stereo

Aerial system: FM: Telescopic Aerial

DAB: Telescopic Aerial

USB: 500mA output charge.



@AZATOM



This manual is available to download online at www.azatom.com

AZATOM® 2020 ALL RIGHTS RESERVED. AZATOM® IS PART OF AZATOM GROUP LIMITED.
SEE SITE FOR SAFETY INFORMATION. AZATOM® RESERVE THE RIGHT TO WITHDRAW ANY AND ALL
PROMOTIONS WITHOUT NOTICE. FOR FULL WARRANTY, EXTENDED WARRANTY AND PROMOTIONAL OFFER
TERMS & CONDITIONS PLEASE VISIT WWW.AZATOM.COM/TERMS-CONDITIONS